



Milli wave antenna probe

~ 43.5GHz Broadband antenna probe ~

- ① CANDOX 44Ap20 enables chamberless measurement.
- ② Ideal solution for near-field testing of 5G wireless devices & module.
- ③ Flatness performance of antenna measurement has been realized.

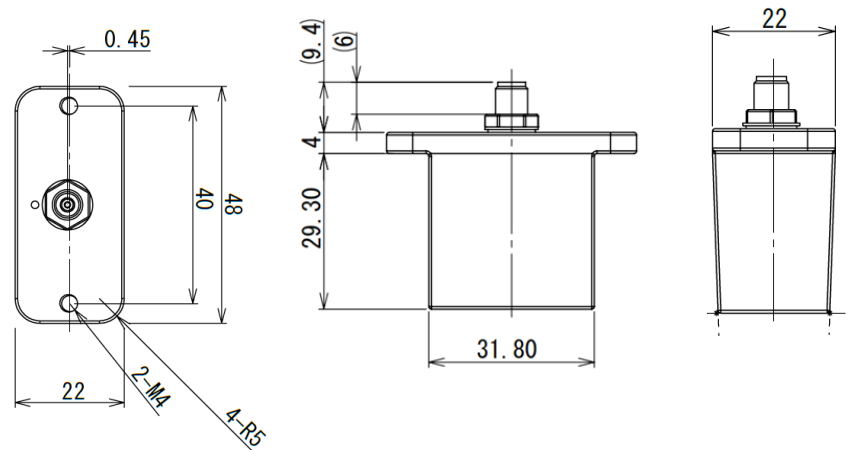
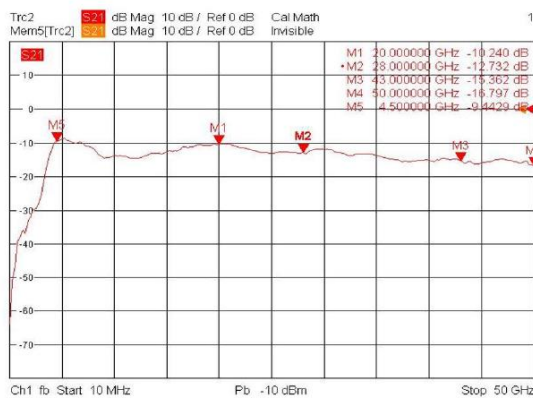
specifications

model	44Ap20
frequency	20~43.5GHz
gain (typ)	3.0dBi >
VSWR	2.5 <
size(mm)	W53 × D24.5 × H43
connector	2.92mm
Max-applied power	10W <
weight	20g <



Test Data *typical

10MHz~50GHz

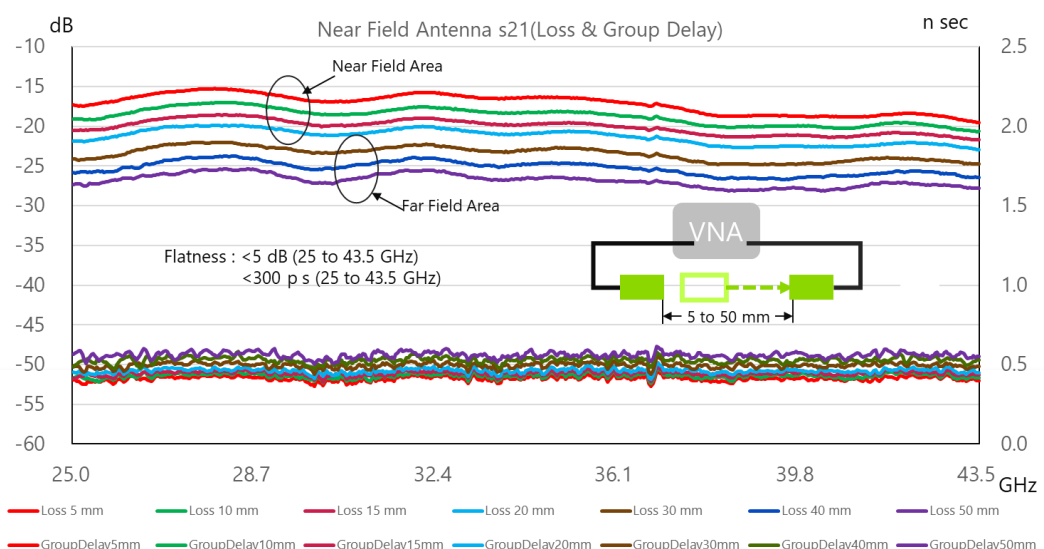


Features

Flatness performance from 25-43.5 GHz

- Amplitude deviation:
 - ➔ 5 dB (typ) or less
- Group delay:
 - ➔ 300ps (typ) or less

Transmission tests such as EVM and packet errors can correlate the near field with the far field.



Candox Systems Inc.

TEL : 048-564-0500

mail : sales@candox.co.jp

